



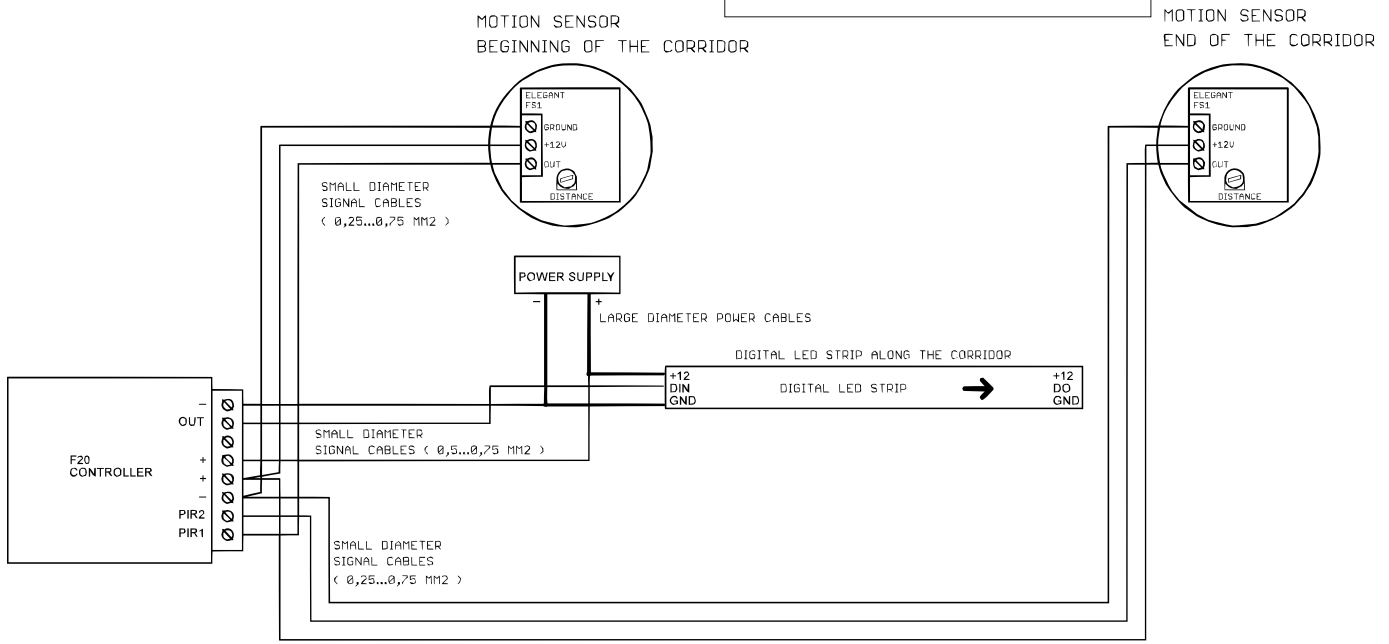
PROXIMITY SENSOR FS3



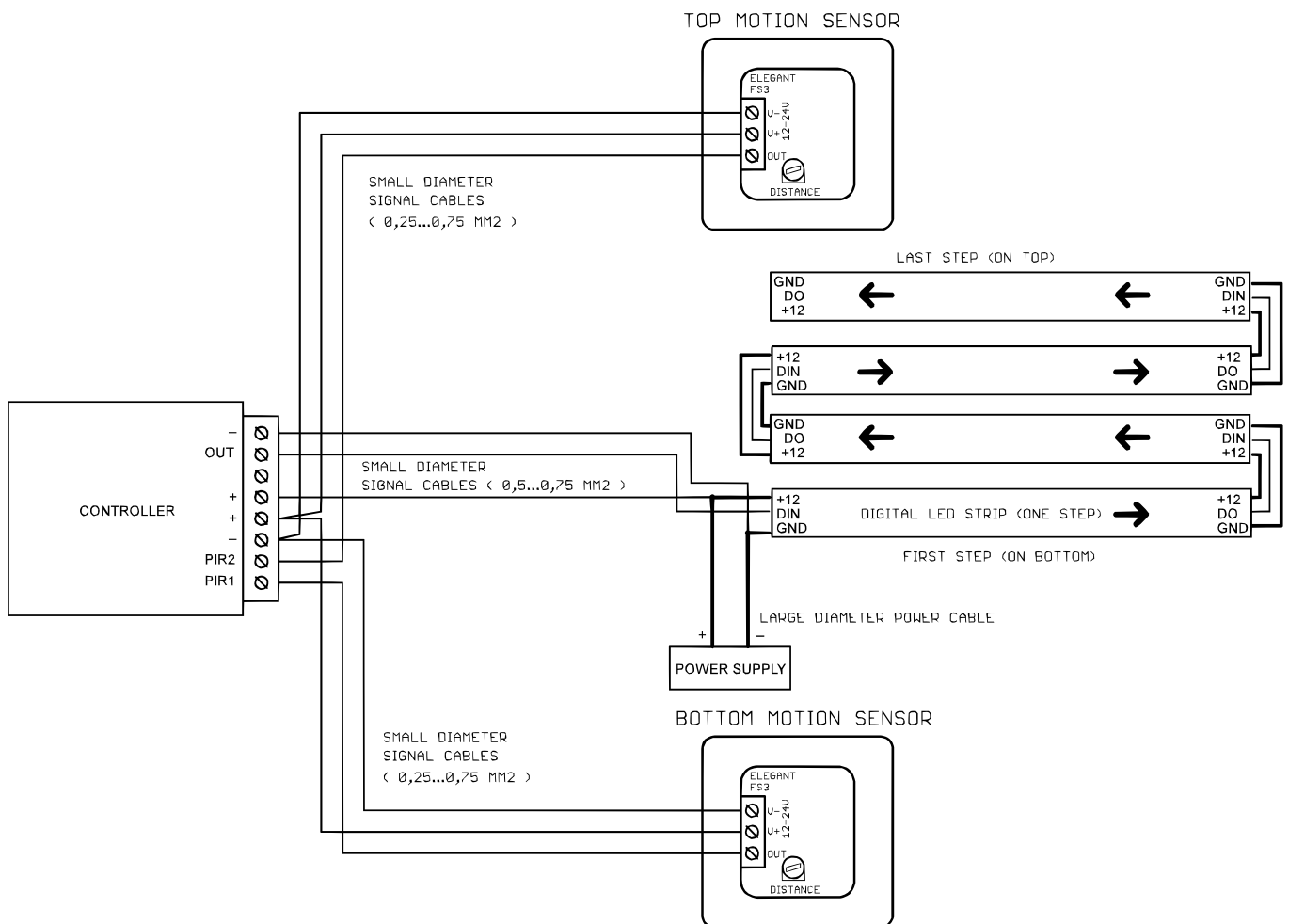
The FS3 proximity sensor is designed to detect a person climbing the stairs or passing through the corridor. The sensor uses a Sharp reflective sensor, which makes its operation reliable. The sensor has an adjustable response sensitivity (the distance at which it responds). The sensor works by sending an invisible beam towards the detected object. This ray is reflected from an object (e.g. a human leg) and returns to the sensor, which allows it to be detected. No mirrors opposite the sensor are required. Objects are only detected straight ahead (narrow angle). The sensor output is an open collector type. Output is active - low type. This means that the output is pull low to the ground when the sensor detects an object.. At the same time, the red LED on the front of the sensor will light up. The sensor output must not be shorted to the power supply positive. The sensor is available in white and black versions.

THE SENSOR IS SUITABLE FOR INSTALLATION IN A REGULAR 60mm JUNCTION BOX

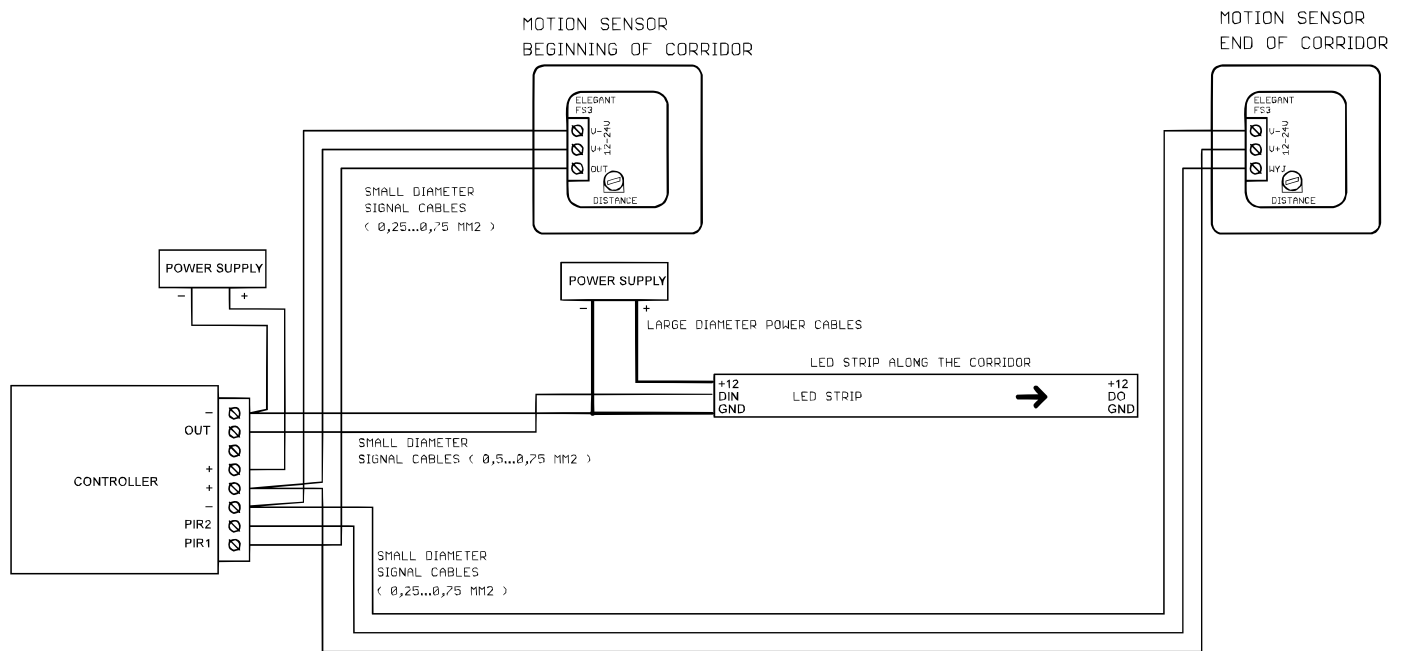
Example connection - corridor.



Example connection - stairs.

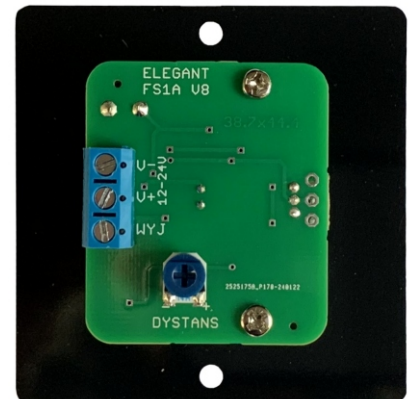
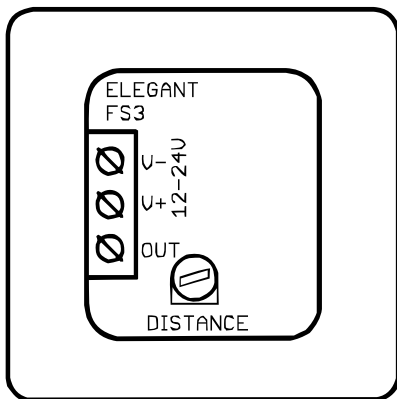


Power supply for sensors and controller with a separate power supply.



Distance adjustment.

Using a small flat screwdriver, gently turn the potentiometer marked "DISTANCE" on the back of the sensor. By turning it clockwise, we increase the sensitivity - the sensor will detect objects from a greater distance.



Device parameters.

- supply voltage: 12-24V
- dimensions: height x width x depth: 70 x 70 x 35mm
- open collector output, load capacity 50mA. Active low.
- maximum distance of detected objects: 140cm
- minimum distance of detected objects: 35cm
- angle of detected objects: only objects in front of the sensor

Required operating conditions of the device:

- ambient temperature from +1°C to +40°C
- relative humidity from 30% to 75%
- the device can only be installed by a person with appropriate permissions

Required storage conditions for the device:

- only in closed rooms where the atmosphere is free from vapors and corrosive substances.
- ambient temperature -30°C to +40°C, air humidity: 30% to 90% (no condensation)
- Disposal of the device: the device must not be disposed of with regular waste. Unnecessary or used product should be returned to special collection points waste sorting centers run by city authorities.

The manufacturer bears no responsibility for possible consequences resulting from incorrect installation, improper use of the device, failure to follow the operating instructions and carry out repairs yourself.