



F29T CCT CORRIDOR CONTROLLER



The Corridor Controller F29T allows for a light filling (unfolding) effect along the connected digital LED strip. Various animation effects can be selected for turning the lighting on and off. The controller is compatible with both monostable buttons (doorbell buttons) and bistable buttons (regular switches). Additionally, the device can be controlled using a remote control, a dedicated Wi-Fi bridge R240, and the B320 Firefly.

Number of Outputs	Maximum Number of Pixels per Output	Maximum Length of LED Strip per Output[m]		
		60d/m 24v	60d/m 12V	30d/m 12V
1	700	70	35	70

Controller Configuration

Step 1: Pairing the Remote with the Controller

- Connect the digital LEDs to the controller.
- Turn on the controller and within 2 seconds of powering on, briefly press "M", then "I" on the first zone switch (see Fig. 1). The LEDs should blink.

Step 2

- To enter configuration mode, briefly touch each button "S-" twice, then "M", and then "S+" on the remote.

Step 3: Setting the Length of the LED Strip

- To set the appropriate length of the LED strip, use the "I" and "O" buttons on the first zone switch to fill the entire LED strip with lit sections so that the blinking section reaches the end of the LED strip.
- To speed up this process, you can use the "I" and "O" buttons on the SECOND zone switch. In this case, you will light up 10 sections at a time instead of one.
- Once you set the length of the connected strip, press "M" on the remote to start displaying the animation.

Step 4: Setting the Animation Speed

- After completing the previous steps, you can set the animation speed. Use the "I" and "O" buttons on the first zone switch to increase/decrease the speed of the displayed animation. Use the "S+" and "S-" buttons to change animations. You can change them at any time, but the animation speed can only be changed in configuration mode. Move to the next step by pressing "M".

Step 5: Selecting the Type of Connected Button

- After completing the previous configuration steps, the first section of the LED strip will blink alternately.
- If adjacent sections are blinking, a momentary (bell) switch is selected. If the blinking sections are apart, a bistable (standard switch) is selected. Change the selection using the "I" and "O" buttons on the first zone switch. This is the end of the configuration. If you want to change something, move through the steps using the "M" button, and exit the configuration menu by pressing "I" at the top of the remote.

Step 6: Exiting the Configuration Menu

- Press "I" at the top of the remote.

When the device is used with the B320 skylight or the R240 Wi-Fi bridge, you can control brightness, white color temperature, and turn the lighting on and off (if the controller is operating in momentary switch mode). The desired animation effect can only be selected using the remote.

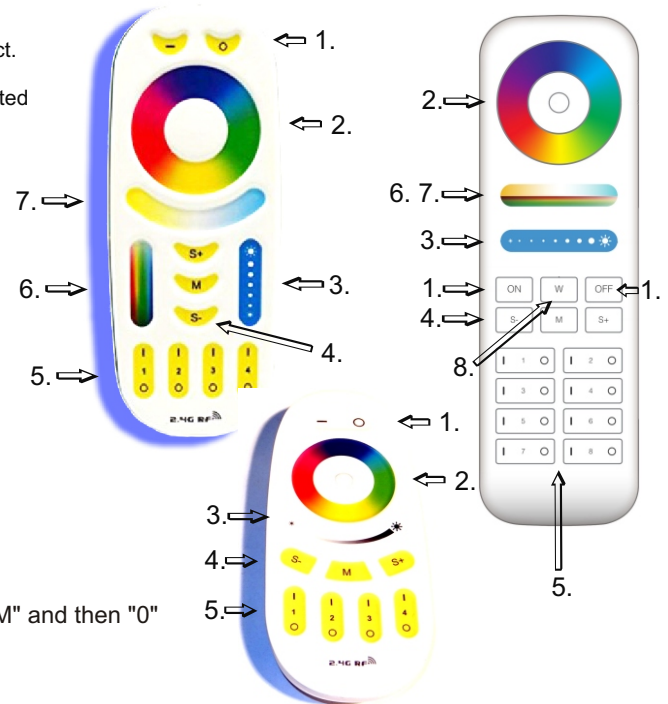
NOTE: When using a bistable switch (standard two-position switch), it is not possible to turn the lighting on and off using the remote, Wi-Fi bridge, or firefly.



Using the Remote

- 1. Main Switch (1):** This switch is used to turn the lighting on and off. Continuously pressing the main switch (1) or the zone switch (5) changes the white color temperature.
- 2. Color Wheel (2):** Not used.
- 3. Brightness Slider (3):** This slider is used to adjust the brightness.
- 4. Program Buttons (4):** The "S-" and "S+" buttons are used to select the desired effect.
- 5. Zone Switches (5):** These switches are used to enter the control mode for the selected zone. To return from controlling a selected zone to controlling all zones, touch the main switch (1).
- 6. Slider (6):** Not used.
- 7. Slider (7):** This slider is used to change the white color temperature.
- 8. Button (8):** Not used.

OBSŁUGIWANE PILOTY:
Mi-Light / MIBOXER
FUT089, FUT092, FUT096
B3, T3, B4, T4



Erasing the Remote from the Controller's Memory

1. Connect the digital LEDs to the controller.
2. Turn on the controller and within 2 seconds of powering on, briefly press "M" and then "0" on any zone switch (5). The LEDs should blink.

Erasing All Remotes from the Controller's Memory

1. Connect the digital LEDs to the controller.
2. Turn on the controller and within 2 seconds of powering on, briefly press "M" and then "0" on the main switch (1). The LEDs should blink.

ATTENTION! If, while using the remote, you accidentally touch a button for a different zone than the one programmed into the controller, the controller will not respond. This is understandable because this is how zones work (allowing independent control of multiple controllers with one remote). Accidentally pressing a different zone button may suggest an apparent malfunction.

1. Main switch: Turns all zones on and off.
2. Color wheel (color selection): not used.
3. Brightness slider.
4. Program buttons (S+ S-).
5. 4 or 8 zone switches.
6. Color saturation slider: not used.
7. White color temperature slider.
8. White color switch: not used.

Factory Reset

To restore factory settings, use a paired remote. On the zone switch (5), briefly touch: "I" on the first zone FIVE TIMES, "I" on the second zone FIVE TIMES, "I" on the third zone TWO TIMES, "I" on the fourth zone TWO TIMES. The controller's red LED should turn off for about 3 seconds. This function is available for controllers manufactured after 2024.04.01. The production date is on the box.

Controller Parameters:

- Power Supply Voltage: 5...24V
- Button Inputs: Active low state, inputs are pulled up to the power supply plus with 3.6kOhm resistors inside the controller
- Supported ICs (digital LEDs): TM1814 CCT
- Maximum LED Current via Screw Terminal: 8A
- Dimensions: 60 x 84 x 30mm
- Remote Control Frequency: 2.4GHz, powered by 2 x AAA batteries

Required Operating Conditions:

- Ambient Temperature: +1°C to +40°C
- Relative Humidity: 30% to 75%
- Installation must be carried out by a qualified person
- The control cable for the LED strip (connected to the device's output) should not be longer than 10cm. If longer cabling is needed, the control signal should be routed with a shielded (coaxial) cable. The installer is responsible for selecting the appropriate cable and for any radio interference caused by improper wiring.
- Connected digital LED strips or digital LED modules must comply with applicable electromagnetic compatibility standards
- Connect the device with the power supply disconnected
- The device should not be operated near heat sources, harmful radiation, or within strong electromagnetic fields
- Clean the enclosure with a damp cloth, with the power disconnected
- Do not connect the device to power if it is visibly damaged
- Protect the device from contact with water and other liquids

Required Storage Conditions:

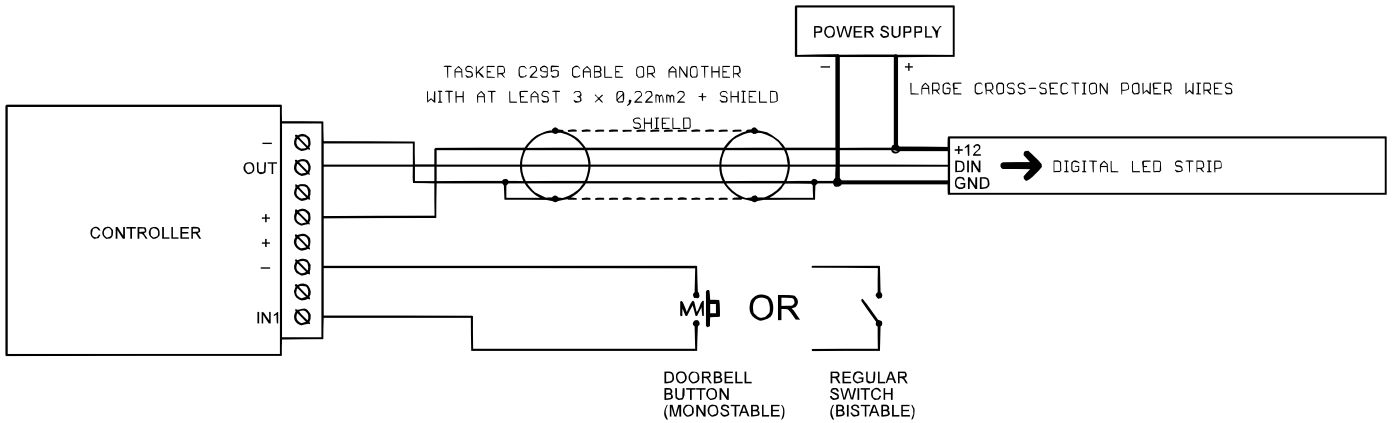
- Only in enclosed spaces with an atmosphere free from fumes and corrosive substances.
- Ambient temperature: -30°C to +40°C, air humidity: 30% to 90% (without condensation)

Device Disposal: Do not dispose of the device in regular waste containers. Unwanted or used products should be taken to specialized waste segregation centers operated by municipal authorities.

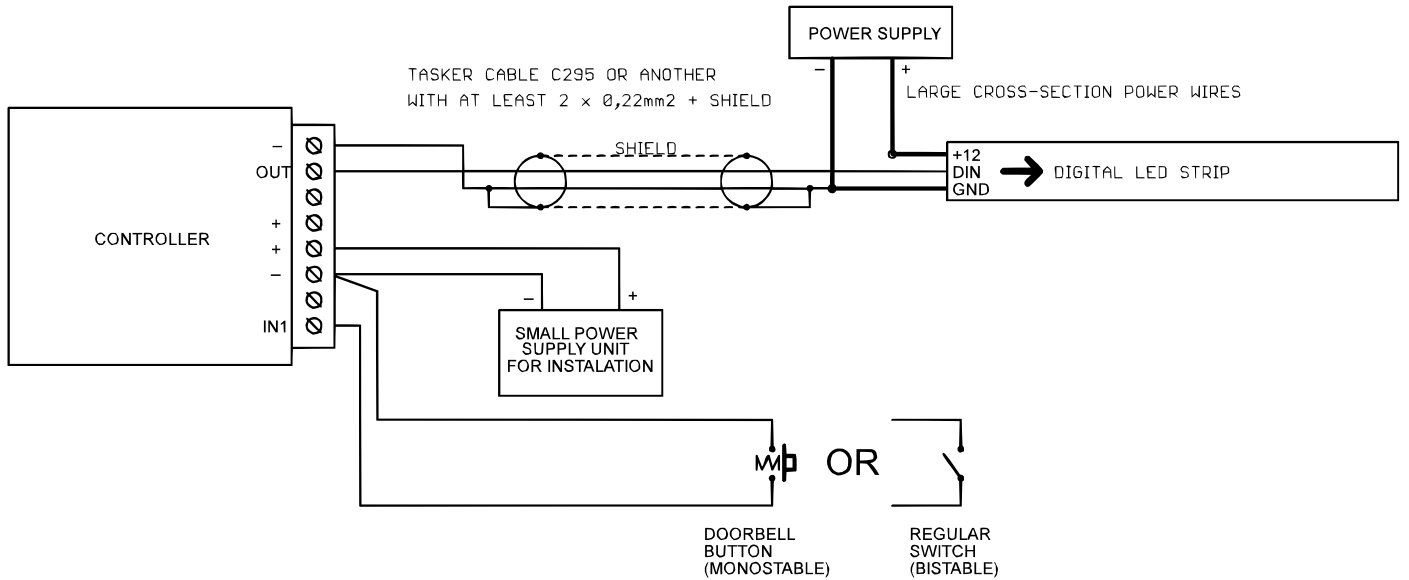
The manufacturer accepts no liability for any consequences arising from incorrect installation, improper use of the device, failure to follow the operating instructions, or unauthorized repairs.

Connection diagrams:

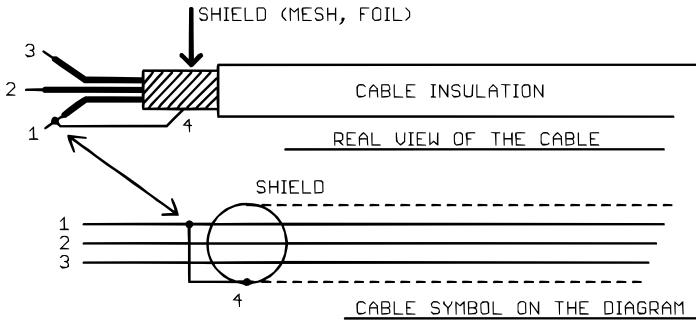
POWERING THE CONTROLLER FROM A COMMON POWER SUPPLY



POWERING THE CONTROLLER FROM A SEPARATE POWER SUPPLY



SHIELDED CABLE



SHIELD MUST BE CONNECTED!