



F28S-700 CORRIDOR LIGHTING CONTROLLER



The Corridor Controller F28S allows for a light filling (unfolding) effect along the connected digital LED strip. Various animation effects can be selected for turning the lighting on and off. The controller is compatible with both monostable buttons (doorbell buttons) and bistable buttons (regular switches). Additionally, the device can be controlled using a remote control, a dedicated Wi-Fi bridge R240, and the B320 Firefly.

Number of Outputs	Maximum Number of Pixels per Output	Maximum Length of LED Strip per Output[m]		
		60d/m 24v	60d/m 12V	30d/m 12V
1	700	70	35	70

Controller Configuration

Step 1: Pairing the Remote with the Controller

- Connect the digital LEDs to the controller.
- Turn on the controller's power and within 2 seconds, briefly press "M" and then "I" on the first zone switch (Fig. 1). The LEDs should flash.

Step 2: Entering Configuration Mode

- On the remote, briefly touch each button twice: "S-", then "M", and finally "S+".

Step 3: Initial Configuration

- After entering configuration mode, the LEDs on the first LED strip should light up. Now, repeatedly touch "O" on the top of the remote, next to the main switch (Fig. 1) until the first three LEDs light up sequentially in red, green, and blue. Use the "M" button to move to the next configuration step.

Step 4: Setting the LED Strip Length

- To set the appropriate length of the LED strip, use the "I" and "O" buttons on the first zone switch to fill the entire LED strip with lit sections, so that the flashing section reaches the end of the strip.
- To speed up this process, use the "I" and "O" buttons on the SECOND zone switch. This will light up 10 sections at a time instead of one.
- Once the length of the connected strip is set, press "M" on the remote and the animation will start.
- After completing the previous steps, you can set the animation speed. Use the "I" and "O" buttons on the first zone switch to increase/decrease the speed of the displayed animation. Use the "S+" and "S-" buttons to change animations. Animations can be changed at any time, but the animation speed can only be changed in configuration mode. Move to the next step with the "M" button.

Step 6: Selecting the Type of Connected Button

- After completing the previous configuration steps, the first section of the LED strip will blink alternately.
- If adjacent sections blink, a monostable button (bell button) is selected. If the blinking sections are spaced apart, a bistable button (regular switch) is selected. Change the selection with the "I" and "O" buttons on the first zone switch. This completes the configuration. If you want to change anything, move through the steps with the "M" button, and exit the configuration menu with "I" at the top of the remote.

Step 7: Exiting the Configuration Menu

- Press "I" at the top of the remote.

When using the device with the B320 firefly or the R240 Wi-Fi bridge, you can control brightness, color, and toggle the lighting on and off (if the controller operates in monostable switch mode). The desired animation effect can only be selected using the remote control.

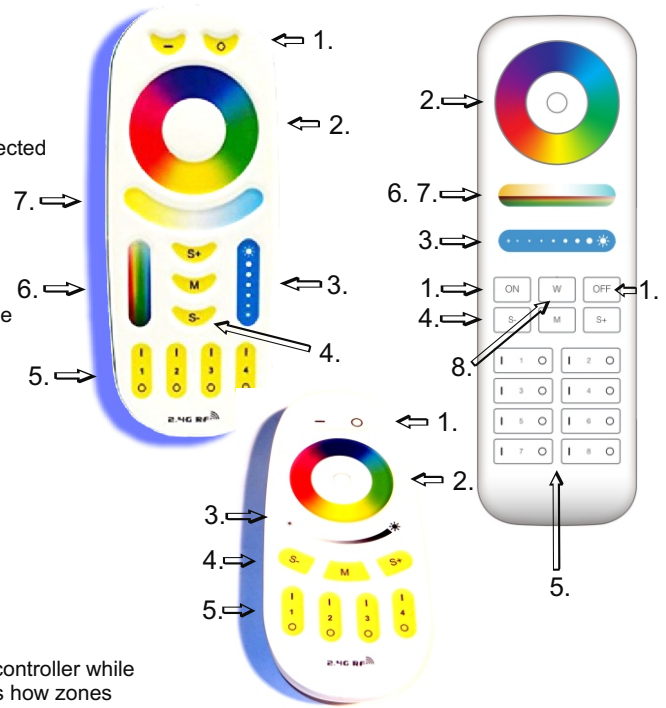
NOTE: When working with a bistable switch (regular two-position switch), it is not possible to turn the lighting on and off using the remote control, R240 Wi-Fi bridge, or B320 Firefly.



Using the Remote Control

- **Main Switch (1):** You can turn the lighting on and off with the main switch. To achieve a white color, hold down "I" on the main switch or on the zone switch (5). Continuous pressing changes the color temperature of the white light.
- **Color Wheel (2):** Use the color wheel to select the color (or set of colors) for creating lighting effects. Some effects (e.g., rainbow) do not respond to the color wheel.
- **Brightness Slider (3):** Adjusts the brightness.
- **Program Buttons (4):** Use "S-" and "S+" to select the desired effect.
- **Zone Switches (5):** Switch to control the selected zone. Return from controlling a selected zone to controlling all zones by touching the main switch (1).
- **Saturation Slider (6):** Adjusts the color saturation.
- **White Color Temperature Slider (7):** Changes the white color temperature.
- **White Color Button (8):** Turns on the white color. Subsequent presses will change the white color temperature.

SUPPORTED REMOTES Mi-Light / MIBOXER FUT089, FUT092, FUT096 B3, T3, B4, T4



Remote Control Functions

1. Main Switch
2. Color Wheel
3. Brightness Slider
4. Program Buttons (S+ S-)
5. Zone Switches
6. Saturation Slider
7. White Color Temperature Slider
8. White Color Button

Deleting the Remote from the Controller's Memory

1. Connect the digital LEDs to the controller.
2. Turn on the controller's power and within 2 seconds of powering it on, briefly press "M", then "0" on any zone switch (5). The LEDs should flash.

Deleting All Remotes from the Controller's Memory

1. Connect the digital LEDs to the controller.
2. Turn on the controller's power and within 2 seconds of powering it on, briefly press "M", then "0" on the main switch (1). The LEDs should flash.

WARNING!

If you accidentally touch a button for a different zone than the one programmed in the controller while using the remote, the controller will not respond. This is understandable because this is how zones operate (allowing independent control of multiple controllers with one remote). Accidental pressing of another zone button may suggest an apparent malfunction.

Restoring Factory Settings

To restore factory settings, use the paired remote control. On the zone switch (5), briefly touch: "I" on the first zone FIVE TIMES, "I" on the second zone FIVE TIMES, "I" on the third zone TWICE, "I" on the fourth zone TWICE. The red LED on the controller should turn off for about 3 seconds. This function is available for controllers manufactured after April 1, 2024. The production date is on the box.

Controller Parameters

- **Power Supply Voltage:** 5...24V
- **Button Inputs:** Active low state, inputs are pulled up to the power supply positive with 3.6kOhm resistors inside the controller
- **Supported ICs (Digital LEDs):** SK6812, Ws2814
- **Maximum LED Current via Screw Terminal:** 8A
- **Dimensions:** 60 x 84 x 30mm
- **Remote Control Frequency:** 2.4GHz, powered by 2 x AAA batteries

Required Operating Conditions

- **Ambient Temperature:** +1°C to +40°C
- **Relative Humidity:** 30% to 75%
- **Installation:** Only a person with appropriate qualifications may install the device.
- **LED Strip Control Cable:** The control cable (connected to the device output) should not be longer than 10cm. If longer cabling is required, the control signal must be routed through a shielded (coaxial) cable. The responsibility for selecting the appropriate cable and any potential Radio interference caused by improper cabling lies with the device installer.
- **Connected Digital LED Strip or Modules:** Must comply with current electromagnetic compatibility standards.
- **Connection:** Make connections to the device with the power supply disconnected.
- **Operation:** The device cannot operate near heat sources, harmful radiation, or within the range of a strong electromagnetic field.
- **Cleaning:** Clean the housing with a damp cloth, with the power supply disconnected.
- **Visible Damage:** If the device shows visible damage, do not connect the power supply.
- **Protection:** Protect the device from contact with water and other liquids.

Required Storage Conditions for the Device

- **Environment:** Only in indoor areas where the atmosphere is free of vapors and corrosive substances.
- **Ambient Temperature:** -30°C to +40°C
- **Air Humidity:** 30% to 90% (non-condensing)

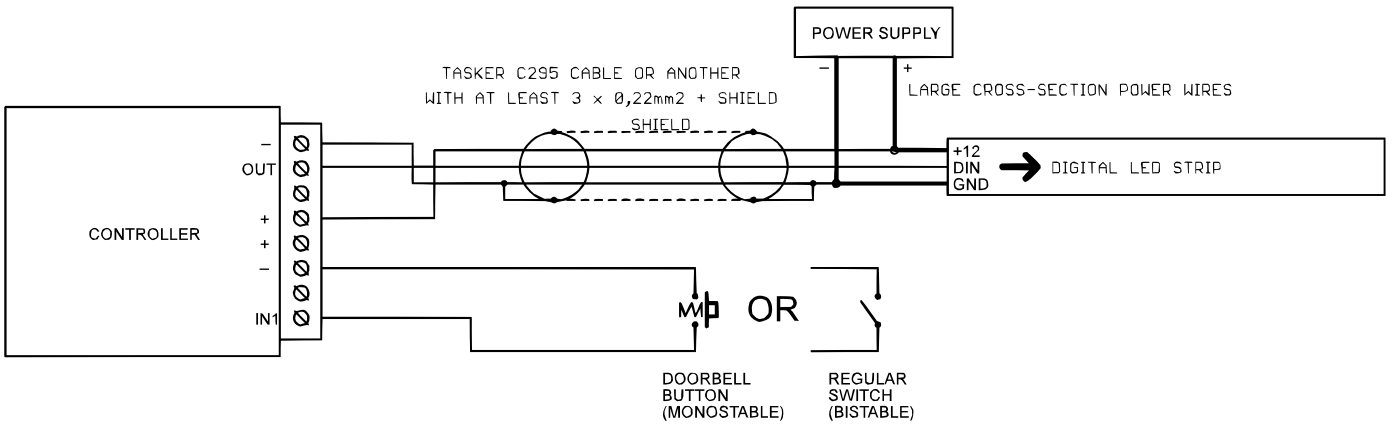
Disposal of the Device

Do not dispose of the device in regular waste containers. Unneeded or worn-out products must be taken to special waste sorting centers run by municipal authorities.

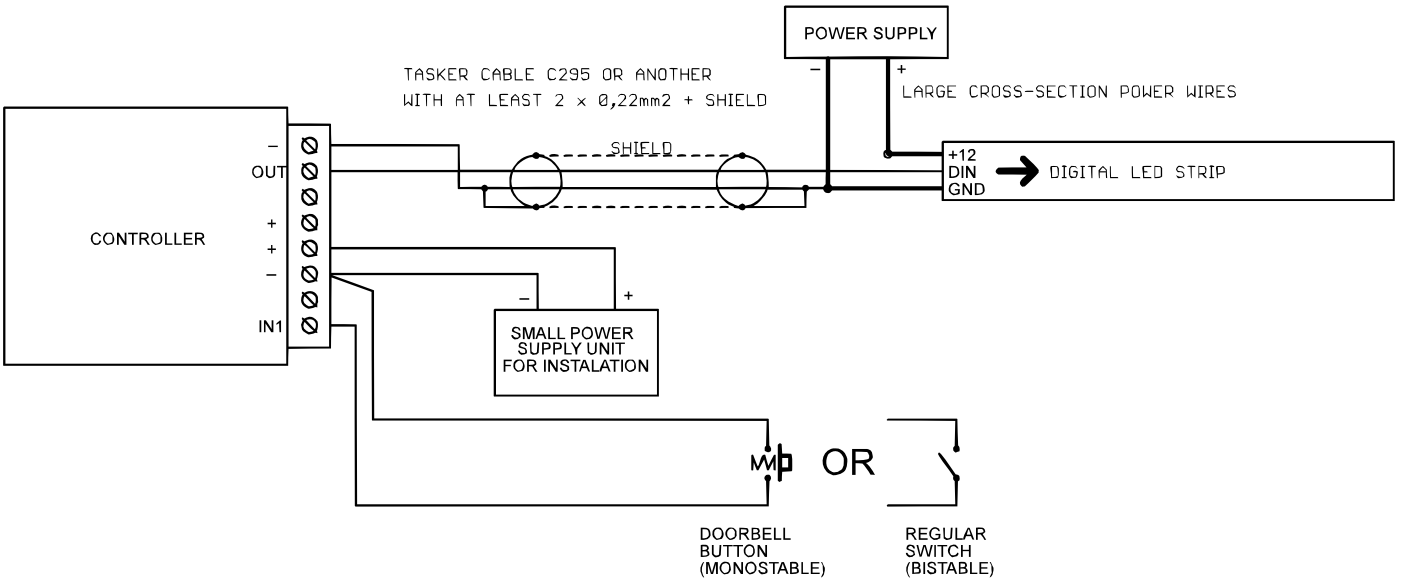
The manufacturer assumes no responsibility for any possible consequences resulting from improper installation, misuse of the device, failure to follow the operating instructions, or unauthorized repairs.

Connection diagrams:

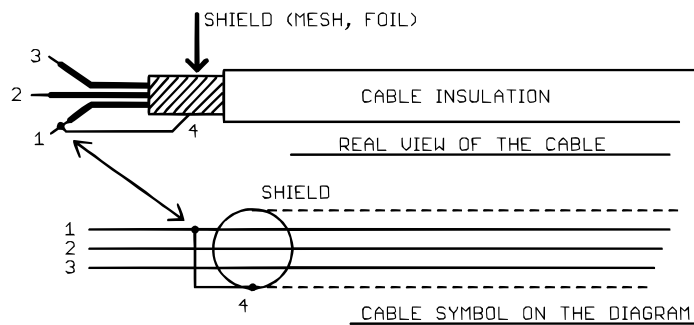
POWERING THE CONTROLLER FROM A COMMON POWER SUPPLY



POWERING THE CONTROLLER FROM A SEPARATE POWER SUPPLY



SHIELDED CABLE



SHIELD MUST BE CONNECTED!